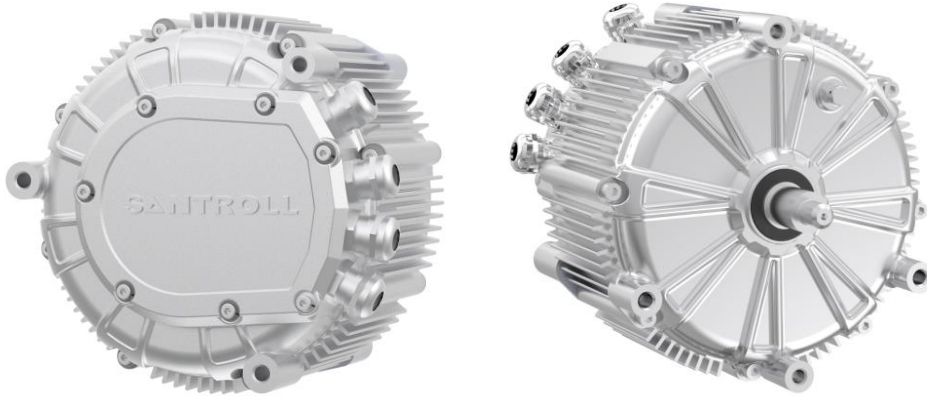


SPECIFICATION FOR PMSM

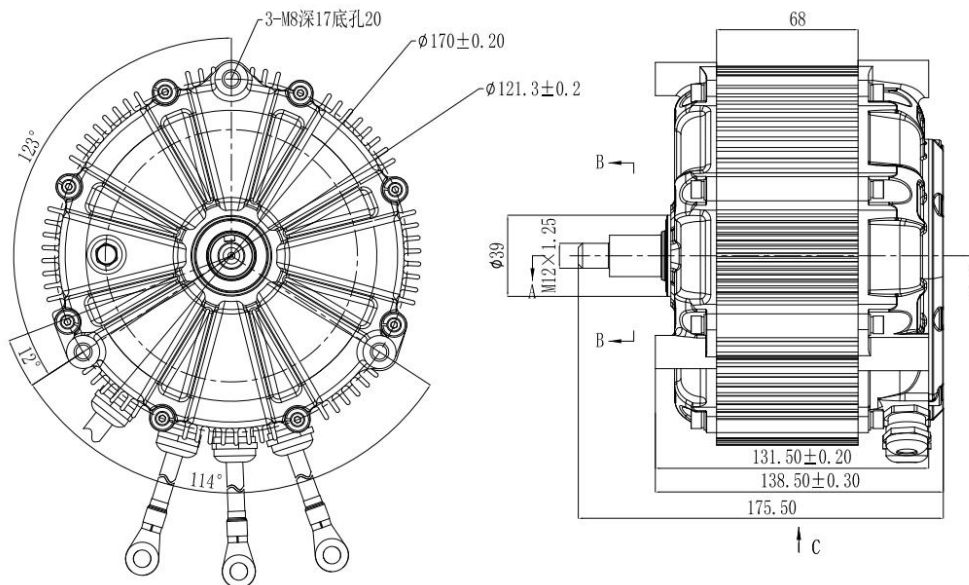
TZ155HA07-T38-SZ



1. Product Model & Specification

TZ155HA07-T38-SZ			
Rated Voltage	72 V	Cooling	Air
Rated Power	3 kW	Peak Power	9.4 kW
Rated Speed	3,250 rpm	Peak Speed	6,000 rpm
Rated Torque	6.4 Nm	Peak Torque	47.75 Nm
Product Weight	9 kg	Size	170*175.5 mm
Application	Two-wheel Electric Motorcycle, ATV, etc.		

2. Outline Dimension



3. Interface Function

3.1. Motor Installation and Matching Cable:

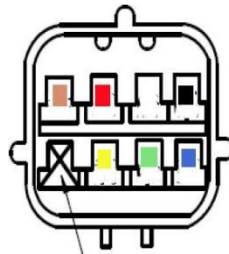
3.1.1. Power Cable Selection:

1. Three-phase cables: power cable-600v-UL3512-6AWG-3200/0.08TS-silicone rubber with insulation thickness of 1.5.
-Orange.
2. Wiring of encoder -7-core cable-black

3.1.2. Wiring Definition

No.	Color	Definition
U	Blue	U-Phase of Three-phase Motor
V	Green	V-Phase of Three-phase Motor
W	Yellow	W Phase of Three-phase Motor
Encoder And Temperature Sensor Line	Black	Wiring of Magnetic Encoder and Temperature Sensor

3.1.3. Terminal Model and Pin Definition



This hole is for waterproofing plug.

Connector model: Tyco AMP-174984-2, plug model: Tyco AMP-2822393-1,
temperature sensor model: KTY84-130

Terminal No.	Function
Brown	PWM Signal Line
Red	+5V
White	Temperature Sensor Signal
Black	GND
Yellow	A Signal
Green	B Signal
Blue	Z Signal

4. Other

4.1. Design Standard

A. The theoretical weight of the motor is 9kg; Cogging torque is 1.5N·m (test before installing oil seal); the radial circle runout is $\leq 0.035\text{mm}$, the axial clearance is 0.3mm, and the noise of the motor during no-load operation is less than 65dB.

B. Duty: S9 (working system with non-periodic changes in load and rotating speed), the external temperature of the motor is -40°C - 50°C when working.

C. Other performance requirements shall comply with relevant requirements of QC/T 792-2007.

4.2 Safety Standard

The limit requirements of prohibited substances and toxic and harmful substances meet the latest edition of GB/T 30512.